

TEAC

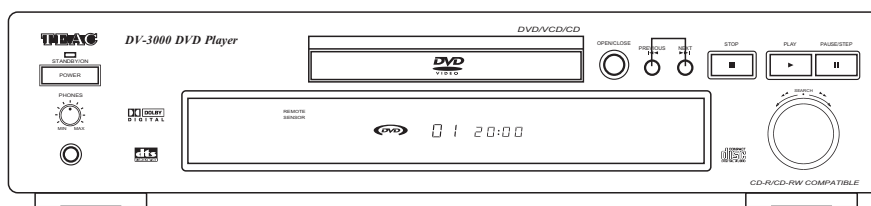
SERVICE MANUAL

(For USA & JAPAN Use)

MODEL DV-3000

CAUTION : Before servicing this chassis, read the "PRODUCT SAFETY SERVICE FOR VIDEO PRODUCTS" section on page 2 of this manual.

DVD and CD PLAYER



SPECIFICATIONS

DVD VIDEO PLAYER

Signal system	PAL/AUTO/NTSC
Laser	Wavelength 650nm
Frequency response	20Hz to 20kHz
Signal/Noise ratio	≥85dB
Audio distortion+noise	≤-80dB(1kHz)
Channel separation	≥90dB(1kHz)
Dynamic range	≥85dB(1kHz)

OUTPUTS

Video outputs	1.0V(p-p), 75ohm, negative sync.
S-video outputs	(Y)1.0V(p-p), (C)0.286V(p-p) 75ohm, negative sync.
Audio outputs (digital audio)	0.5V(p-p), 75ohm
Audio outputs (analog audio)	2.0Vrms(1KHz,0.8dB), 10Kohm

GENERAL

Power supply	AC120V, 60Hz
Power consumption	<20W
Dimensions	435 x 95 x 280 (mm)
Weight	Around 4kgs

CONTENTS

SERVICE PRECAUTIONS	2-3
LOCATION OF CONTROLS	4-6
BLOCK DIAGRAMS	7
ELECTRICAL TROUBLE SHOOTING GUIDE	8-18
PRINTED CIRCUIT	20-25
EXPLODED VIEW/PARTS LIST(CABINET)	26
REPLACEMENT PARTS LIST	28-31

PRODUCT SAFETY SERVICING GUIDELINES FOR VIDEO PRODUCTS

CAUTION: DO NOT ATTEMPT TO MODIFY THIS PRODUCT IN ANY WAY AND NEVER PERFORM CUSTOMIZED INSTALLATIONS WITHOUT MANUFACTURER'S APPROVAL. UNAUTHORIZED MODIFICATIONS WILL NOT ONLY VOID THE WARRANTY, BUT MAY LEAD TO YOUR BEING LIABLE FOR ANY RESULTING PROPERTY DAMAGE OR USER INJURY.

SERVICE WORK SHOULD BE PERFORMED ONLY AFTER YOU ARE THOROUGHLY FAMILIAR WITH ALL OF THE FOLLOWING SAFETY CHECKS AND SERVICING GUIDELINES. TO DO OTHERWISE, INCREASES THE RISK OF POTENTIAL HAZARDS AND INJURY TO THE USER.

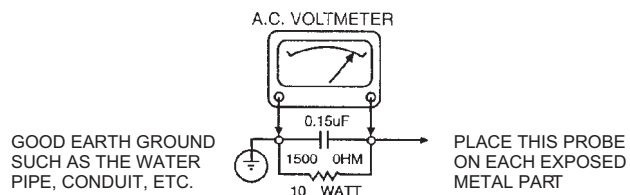
WHILE SERVICING, USE AN ISOLATION TRANSFORMER FOR PROTECTION FROM A.C. LINE SHOCK.

SAFETY CHECKS

AFTER THE ORIGINAL SERVICE PROBLEM HAS BEEN CORRECTED, A CHECK SHOULD BE MADE OF THE FOLLOWING.

SUBJECT: FIRE & SHOCK HAZARD

1. BE SURE THAT ALL COMPONENTS ARE POSITIONED IN SUCH A WAY AS TO AVOID POSSIBILITY OF ADJACENT COMPONENT SHORTS. THIS IS ESPECIALLY IMPORTANT ON THOSE MODULES WHICH ARE TRANSPORTED TO AND FROM THE REPAIR SHOP.
2. NEVER RELEASE A REPAIR UNLESS ALL PROTECTIVE DEVICES SUCH AS INSULATORS, BARRIERS, COVERS, SHIELDS, STRAIN RELIEFS, POWER SUPPLY CORDS, AND OTHER HARDWARE HAVE BEEN REINSTALLED PER ORIGINAL DESIGN. BE SURE THAT THE SAFETY PURPOSE OF THE POLARIZED LINE PLUG HAS NOT BEEN DEFEATED.
3. SOLDERING MUST BE INSPECTED TO DISCOVER POSSIBLE COLD SOLDER JOINTS, SOLDER SPLASHES OR SHARP SOLDER POINTS. BE CERTAIN TO REMOVE ALL LOOSE FOREIGN PARTICLES.
4. CHECK FOR PHYSICAL EVIDENCE OF DAMAGE OR DETERIORATION TO PARTS AND COMPONENTS, FOR FRAYED LEADS AND DAMAGED INSULATION (INCLUDING A.C. CORD), AND REPLACE IF NECESSARY FOLLOW ORIGINAL LAYOUT, LEAD LENGTH AND DRESS.
5. NO LEAD OR COMPONENT SHOULD TOUCH A RECEIVING TUBE OR A RESISTOR RATED AT 1 WATT OR MORE. LEAD TENSION AROUND PROTRUDING METAL SURFACES MUST BE AVOIDED.
6. ALL CRITICAL COMPONENTS SUCH AS FUSES, FLAMEPROOF RESISTORS, CAPACITORS, ETC. MUST BE REPLACED WITH EXACT FACTORY TYPES, DO NOT USE REPLACEMENT COMPONENTS OTHER THAN THOSE SPECIFIED OR MAKE UNRECOMMENDED CIRCUIT MODIFICATIONS.
7. AFTER RE-ASSEMBLY OF THE SET, ALWAYS PERFORM AN A.C. LEAKAGE TEST ON ALL EXPOSED METALLIC PARTS OF THE CABINET, (THE CHANNEL SELECTOR KNOB, ANTENNA TERMINALS, HANDLE AND SCREWS) TO BE SURE THE SET IS SAFE TO OPERATE WITHOUT DANGER OF ELECTRICAL SHOCK. DO NOT USE A LINE ISOLATION TRANSFORMER DURING THIS TEST, MAKE SURE TO USE AN A.C. VOLTMETER, HAVING 5000 OHMS PER VOLT OR MORE SENSITIVITY, IN THE FOLLOWING MANNER; CONNECT A 1500 OHMS 10 WATT RESISTOR, PARALLELED BY A .15 MFD. 150V A.C. TYPE CAPACITOR BETWEEN A KNOWN GOOD EARTH GROUND (WATER PIPE, CONDUIT, ETC.) AND THE EXPOSED METALLIC PARTS, ONE AT A TIME. MEASURE THE A.C. VOLTAGE ACROSS THE COMBINATION OF 1500 OHM RESISTOR AND 15 MFD CAPACITOR. REVERSE THE A.C. PLUG AND REPEAT A.C. ANY VOLTAGE MEASUREMENTS FOR EACH EXPOSED METALLIC PART. VOLTAGE MEASURED MUST NOT EXCEED 75 VOLTS R.M.S. THIS CORRESPONDS TO 0.5 MILLIAMPS A.C. ANY VALUE EXCEEDING THIS LIMIT CONSTITUTES A POTENTIAL SHOCK HAZARD AND MUST BE CORRECTED IMMEDIATELY.



SUBJECT GRAPHIC SYMBOLS



THE LIGHTNING FLASH WITH APOWHEAD SYMBOL, WITHIN AN EQUILATERAL TRIANGLE, IS INTENDED TO ALERT THE SERVICE PERSONNEL TO THE PRESENCE OF UNINSULATED "DANGEROUS VOLTAGE" THAT MAY BE OF SUFFICIENT MAGNITUDE TO CONSTITUTE A RISK OF ELECTRIC SHOCK.



THE EXCLAMATION POINT WITHIN AN EQUILATERAL TRIANGLE IS INTENDED TO ALERT THE SERVICE PERSONNEL TO THE PRESENCE OF IMPORTANT SAFETY INFORMATION IN SERVICE LITERATURE.

SUBJECT: X-RADIATION

1. BE SURE PROCEDURES AND INSTRUCTIONS TO ALL SERVICE PERSONNEL COVER THE SUBJECT OF X-RADIATION. THE ONLY POTENTIAL SOURCE OF X-RAYS IN CURRENT T.V. RECEIVERS IS THE PICTURE TUBE. HOWEVER, THIS TUBE DOES NOT EMIT X-RAYS WHEN THE HIGH VOLTAGE IS AT THE FACTORY SPECIFIED LEVEL. THE PROPER VALUE IS GIVEN IN THE APPLICABLE SCHEMATIC. OPERATION AT HIGHER VOLTAGES MAY CAUSE A FAILURE OF THE PICTURE TUBE OR HIGH VOLTAGE SUPPLY AND, UNDER CERTAIN CIRCUMSTANCES, MAY PRODUCE RADIATION IN EXCESS OF DESIRABLE LEVELS.
2. ONLY FACTORY SPECIFIED C.R.T ANODE CONNECTORS MUST BE USED. DEGAUSSING SHIELDS ALSO SERVE AS AN X-RAY SHIELD IN COLOR SETS, ALWAYS RE-INSTALL THEM.
3. IT IS ESSENTIAL THAT SERVICE PERSONNEL HAVE AVAILABLE AN ACCURATE AND RELIABLE HIGH VOLTAGE METER. THE CALIBRATION OF THE METER SHOULD BE CHECKED PERIODICALLY AGAINST A REFERENCE STANDARD, SUCH AS THE ONE AVAILABLE AT YOUR DISTRIBUTOR.
4. WHEN THE HIGH VOLTAGE CIRCUITRY IS OPERATING PROPERLY, THERE IS NO POSSIBILITY OF AN X-RADIATION PROBLEM. EVERY TIME A COLOR CHASSIS IS SERVICED, THE BRIGHTNESS SHOULD BE RUN UP AND DOWN WHILE MONITORING THE HIGH VOLTAGE WITH A METER TO BE CERTAIN THAT THE HIGH VOLTAGE DOES NOT EXCEED THE SPECIFIED VALUE AND THAT IT IS REGULATING CORRECTLY. WE SUGGEST THAT YOU AND YOUR SERVICE ORGANIZATION REVIEW TEST PROCEDURES SO THAT VOLTAGE REGULATION IS ALWAYS CHECKED AS A STANDARD SERVICING PROCEDURE AND THAT THE HIGH VOLTAGE READING BE RECORDED ON EACH CUSTOMER'S INVOICE.
5. WHEN TROUBLESHOOTING AND MAKING TEST MEASUREMENTS IN A PRODUCT WITH A PROBLEM OF EXCESSIVE HIGH VOLTAGE AVOID BEING UNNECESSARILY CLOSE TO THE PICTURE TUBE AND THE HIGH VOLTAGE SUPPLY DO NOT OPERATE THE PRODUCT LONGER THAN IT IS NECESSARY TO LOCATE THE CAUSE OF EXCESSIVE VOLTAGE.
6. REFER TO HV. B+ AND SHUTDOWN ADJUSTMENT PROCEDURES DESCRIBED IN THE APPROPRIATE SCHEMATIC AND DIAGRAMS (WHERE USED).

SUBJECT: IMPLOSION

1. ALL DIRECT VIEWED PICTURE TUBES ARE EQUIPPED WITH AN INTEGRAL IMPLOSION PROTECTION SYSTEM, BUT CARE SHOULD BE TAKEN TO AVOID DAMAGE DURING INSTALLATION, AVOID SCRATCHING THE TUBE. IF SCRATCHED REPLACE IT.
2. USE ONLY RECOMMENDED FACTORY REPLACEMENT TUBES.

SUBJECT: TIPS ON PROPER INSTALLATION

1. NEVER INSTALL ANY PRODUCT IN A CLOSED-IN RECESS. CUBBYHOLE OR CLOSELY FITTING SHELF SPACE, OVER OR CLOSE TO HEAT DUCT, OR IN THE PATH OF HEATED AIR FLOW.
2. AVOID CONDITIONS OF HIGH HUMIDITY SUCH AS: OUTDOOR PATIO INSTALLATIONS WHERE DEW IS A FACTOR, NEAR STEAM RADIATORS WHERE STEAM LEAKAGE IS A FACTOR, ETC.
3. AVOID PLACEMENT WHERE DRAPERIES MAY OBSTRUCT REAR VENTING. THE CUSTOMER SHOULD ALSO AVOID THE USE OF DECORATIVE SCARVES OR OTHER COVERINGS WHICH MIGHT OBSTRUCT VENTILATION.
4. WALL AND SHELF MOUNTED INSTALLATIONS USING A COMMERCIAL MOUNTING KIT, MUST FOLLOW THE FACTORY APPROVED MOUNTING INSTRUCTIONS. A PRODUCT MOUNTED TO A SHELF OR PLATFORM MUST RETAIN ITS ORIGINAL FEET (OR THE EQUIVALENT THICKNESS IN SPACERS) TO PROVIDE ADEQUATE AIR FLOW ACROSS THE BOTTOM. BOLTS OR SCREWS USED FOR FASTENERS MUST NOT TOUCH ANY PARTS OR WIRING. PERFORM LEAKAGE TEST ON CUSTOMIZED INSTALLATIONS.
5. CAUTION CUSTOMERS AGAINST THE MOUNTING OF A PRODUCT ON SLOPING SHELF OR A TILTED POSITION, UNLESS THE PRODUCT IS PROPERLY SECURED.
6. A PRODUCT ON A ROLL-ABOUT CART SHOULD BE STABLE ON ITS MOUNTING TO THE CART CAUTION THE CUSTOMER ON THE HAZARDS OF TRYING TO ROLL A CART WITH SMALL CASTERS ACROSS THRESHOLDS OR DEEP PILE CARPETS.
7. CAUTION CUSTOMERS AGAINST THE USE OF A CART OR STAND WHICH HAS NOT BEEN LISTED BY UNDERWRITERS LABORATORIES, INC. FOR USE WITH THEIR SPECIFIC MODEL OF TELEVISION RECEIVER OR GENERICALLY APPROVED FOR USE WITH TV'S OF THE SAME OR LARGER SCREEN SIZE.
8. CAUTION CUSTOMERS AGAINST THE USE OF EXTENSION CORDS. EXPLAIN THAT A FOREST OF EXTENSIONS SPROUTING FROM A SINGLE OUTLET CAN LEAD TO DISASTROUS CONSEQUENCES TO HOME AND FAMILY.

SERVICING PRECAUTIONS

CAUTION : Before servicing the DVD covered by this service data and its supplements and ADDENDUMS, read and follow the *SAFETY PRECAUTIONS NOTE* : if unforeseen circumstances create conflict between the following servicing precautions and any of the safety precautions in this publications, always follow the safety precautions.

Remember Safety First:

General Servicing Precautions

1. Always unplug the DVD AC power cord from the AC power source before:
 - (1) Removing or reinstalling any component, circuit board, module, or any other assembly.
 - (2) Disconnection or reconnecting any internal electrical plug or other electrical connection.
 - (3) Connecting a test substitute in parallel with an electrolytic capacitor
Caution : A wrong part substitution or incorrect polarity installation of electrolytic capacitors may result in an explosion hazard.
2. Do not spray chemicals on or near this DVD or any of its assemblies.
3. Unless specified otherwise in this service data, clean electrical contacts by applying an appropriate contact cleaning solution to the contacts with a pipe cleaner, cotton-tipped swab, or comparable soft applicator.
Unless specified otherwise in this service data, lubrication of contacts is not required.
4. Do not defeat any plug/socket B+ voltage interlocks with wotch instruments covered by this service manual might be equipped.
5. Do not apply AC power to this DVD and/or any of its electrical assemblies unless all solid-state device heat sinks are correctly installed.
6. Always connect test instrument ground lead to the appropriate ground before connection the test instrument positive lead. Always remove the test instrument ground lead last.

Insulation Checking Procedure

Disconnect the attachment plug from the AC outlet and turn the power on. Connect an insulation resistance meter(500V) to the blades of the attachment plug. The insulation resistance between each blade of the attachment plug and accessible conductive parts (Note 1) should be more than 1M ohm.

Note 1 : Accessible Conductive Parts including Metal panels, input terminals, Earphone jacks, etc.

Electrostatically Sensitive (ES) Devices

Some semiconductor (solid state) devices can be damaged easily by static electricity. Such components commonly are called Electrostatically Sensitive (ES) Devices. Examples of typical ES devices are integrated circuits and some field effect transistors and semiconductor chip components.

The following techniques should be used to help reduce the incidence of component damage caused by static electricity.

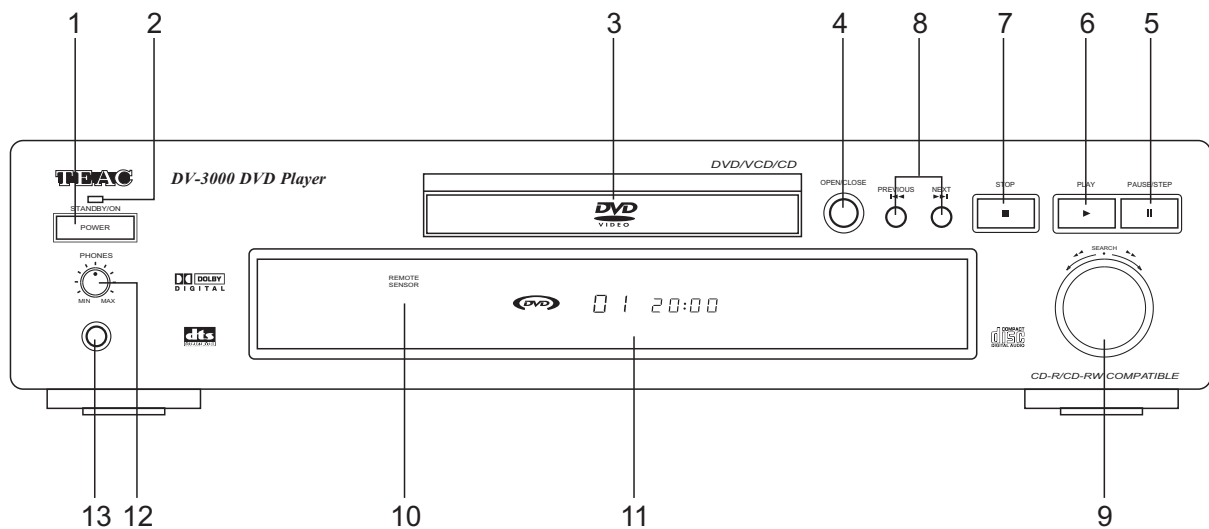
1. Immediately before handling any semiconductor component or semiconductor-equipped assembly, drain off any electrostatic charge on your body by touching a known earth ground. Alternatively, obtain and wear a commercially available discharging wrist strap device, which should be removed for potential shock reasons prior to applying power to the unit under test.
2. After removing an electrical assembly equipped with ES devices, place the assembly on a conductive surface such as aluminum foil, to prevent electrostatic charge buildup or exposure of the assembly.
3. Use only a GROUNDED-tip soldering iron to solder or unsolder ES devices.
4. Use only an anti-static solder removal device. Some solder removal devices not classified a "anti-static" can generate electrical charges sufficient to damage ES devices.
5. Do not use freon-propelled chemicals. These can generate electrical charge sufficient to damage ES devices.
6. Do not remove a replacement ES device from its protective package until immediately before you are ready to install it. (Most replacement ES devices are packaged with leads electrically shorted together by conductive foam, aluminum foil, or comparable conductive material.)
7. Immediately before removing the protective material from the leads of a replacement ES device, touch the protective material to the chassis or circuit assembly into which the device will be installed.

Caution : Be sure no power is applied to the chassis or circuit, and observe all other safety precautions.

8. Minimize bodily motions when handling unpackaged replacement ES devices. (Normally harmless motion such as the brushing together of your clothes fabric or the lifting of your foot from a carpeted floor can generate static electricity sufficient to damage an ES device.)

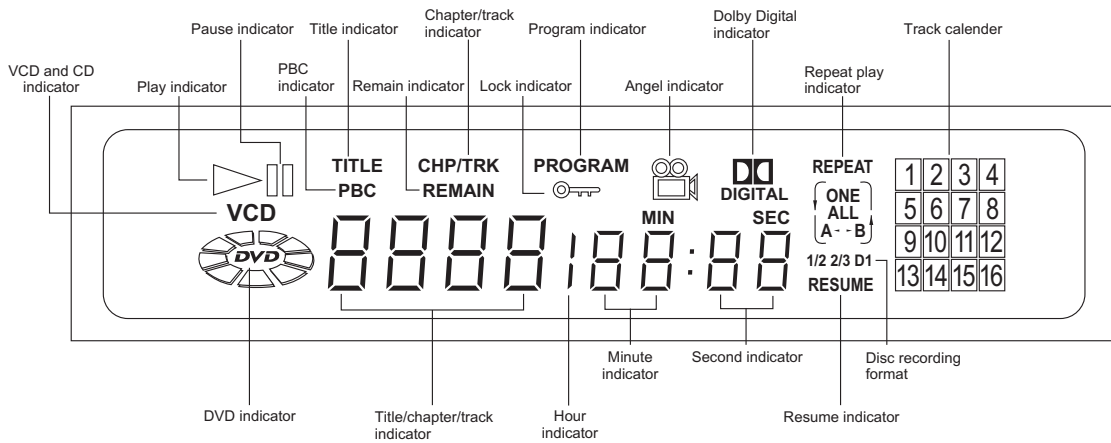
PREPARATIONS BEFORE OPERATION

FRONT PANEL



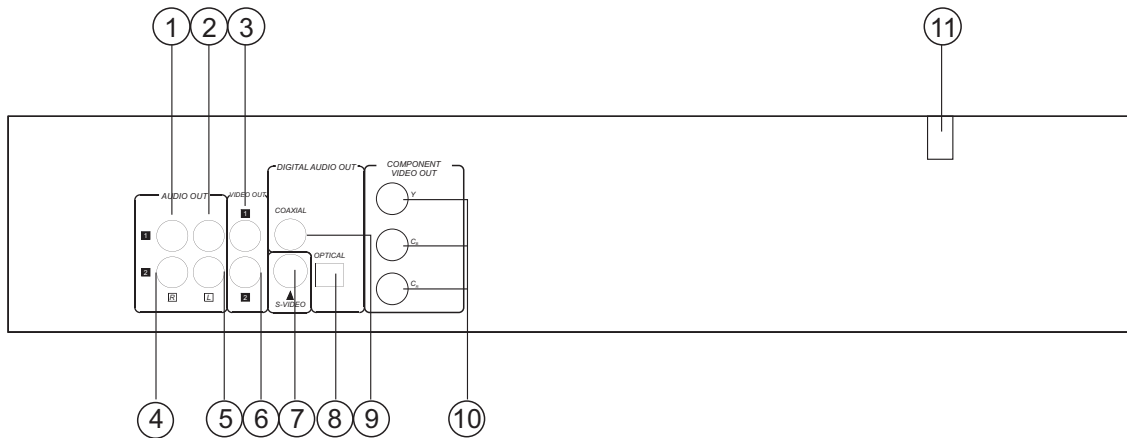
- | | |
|----------------------|-------------------|
| 1. POWER | 8. PREVIOUS/NEXT |
| 2. STANDBY INDICATOR | 9. SEARCH |
| 3. DISC TRAY | 10. REMOTE SENSOR |
| 4. OPEN/CLOSE | 11. DISPLAY |
| 5. PAUSE/STEP | 12. PHONES LEVEL |
| 6. PLAY | 13. PHONES JACK |
| 7. STOP | |

DISPLAY



Push **DIMMER**, the brightness of the display is reduced by half, push it once more, the display becomes dark. Push the button again, the display resumes brightness.

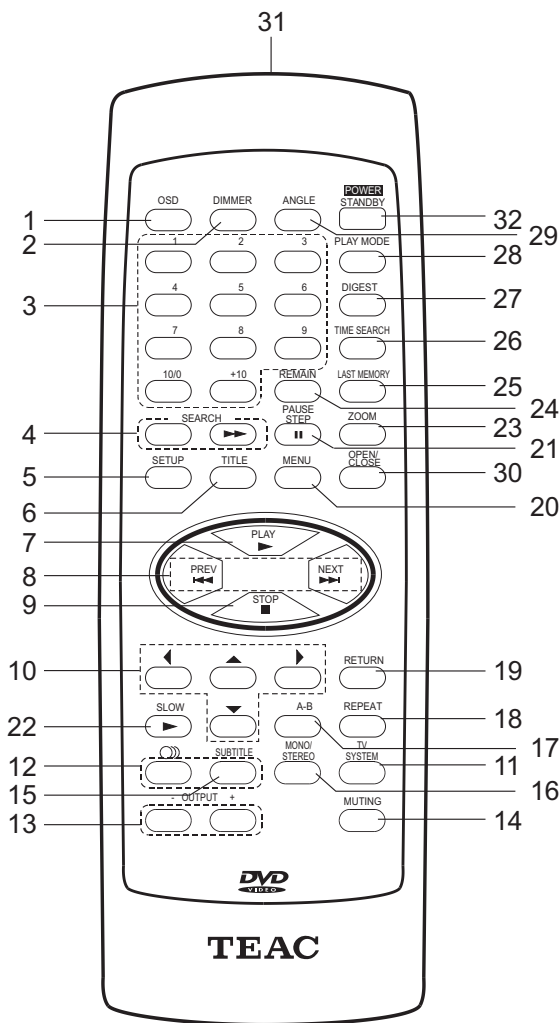
REAR PANEL



- 1 AUDIO OUT1 R
- 2 AUDIO OUT1 L
- 3 VIDEO OUT1
- 4 AUDIO OUT2 R
- 5 AUDIO OUT2 L
- 6 VIDEO OUT2

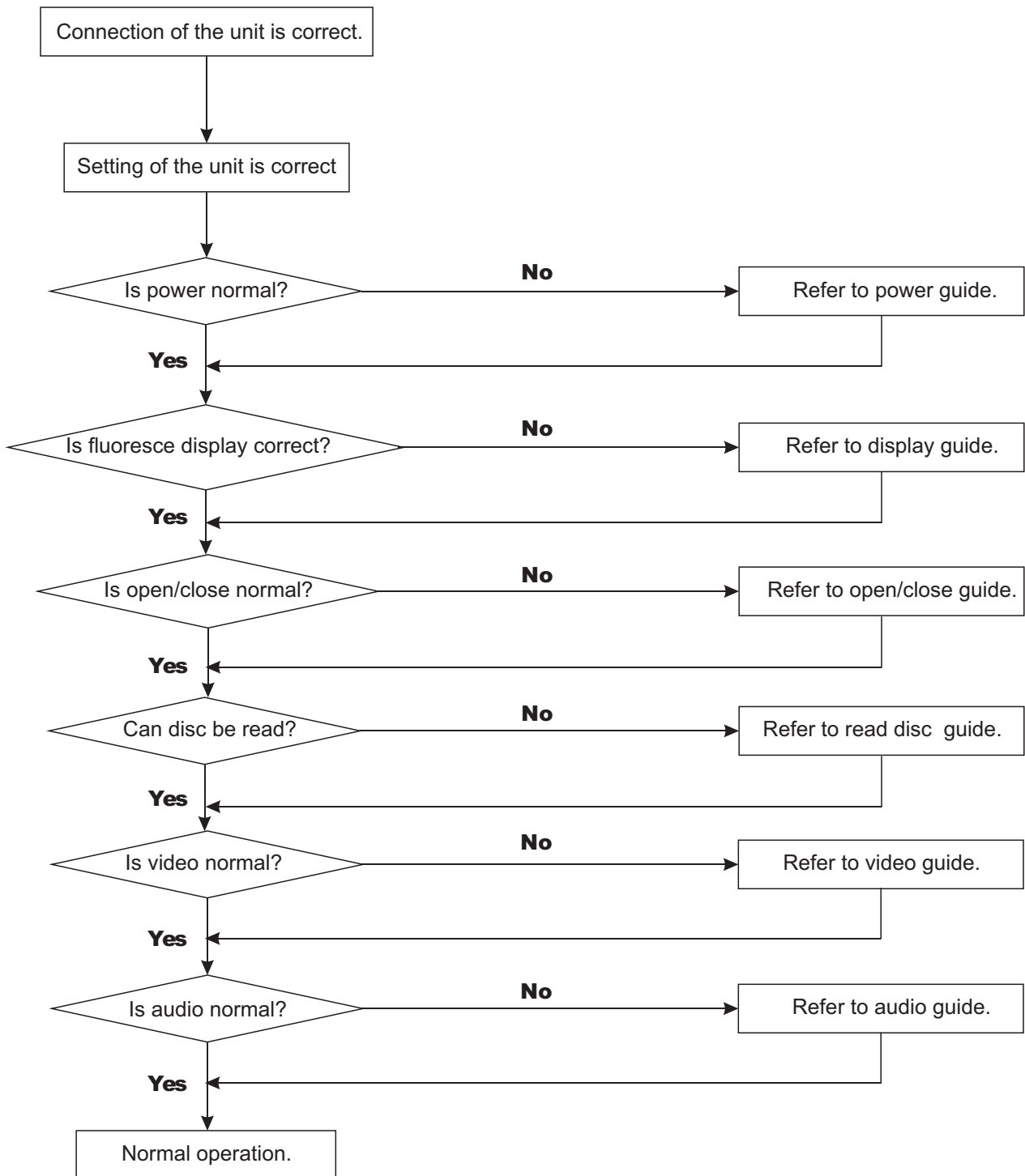
- 7 S-VIDEO OUT
- 8 DIGITAL OUT(OPTICAL)
- 9 DIGITAL OUT(COAXIAL)
- 10 COMPONENT VIDEO
(Color Difference Output)
- 11 POWER SUPPLY CORD

NAMES AND LAYOUT OF REMOTE CONTROLS

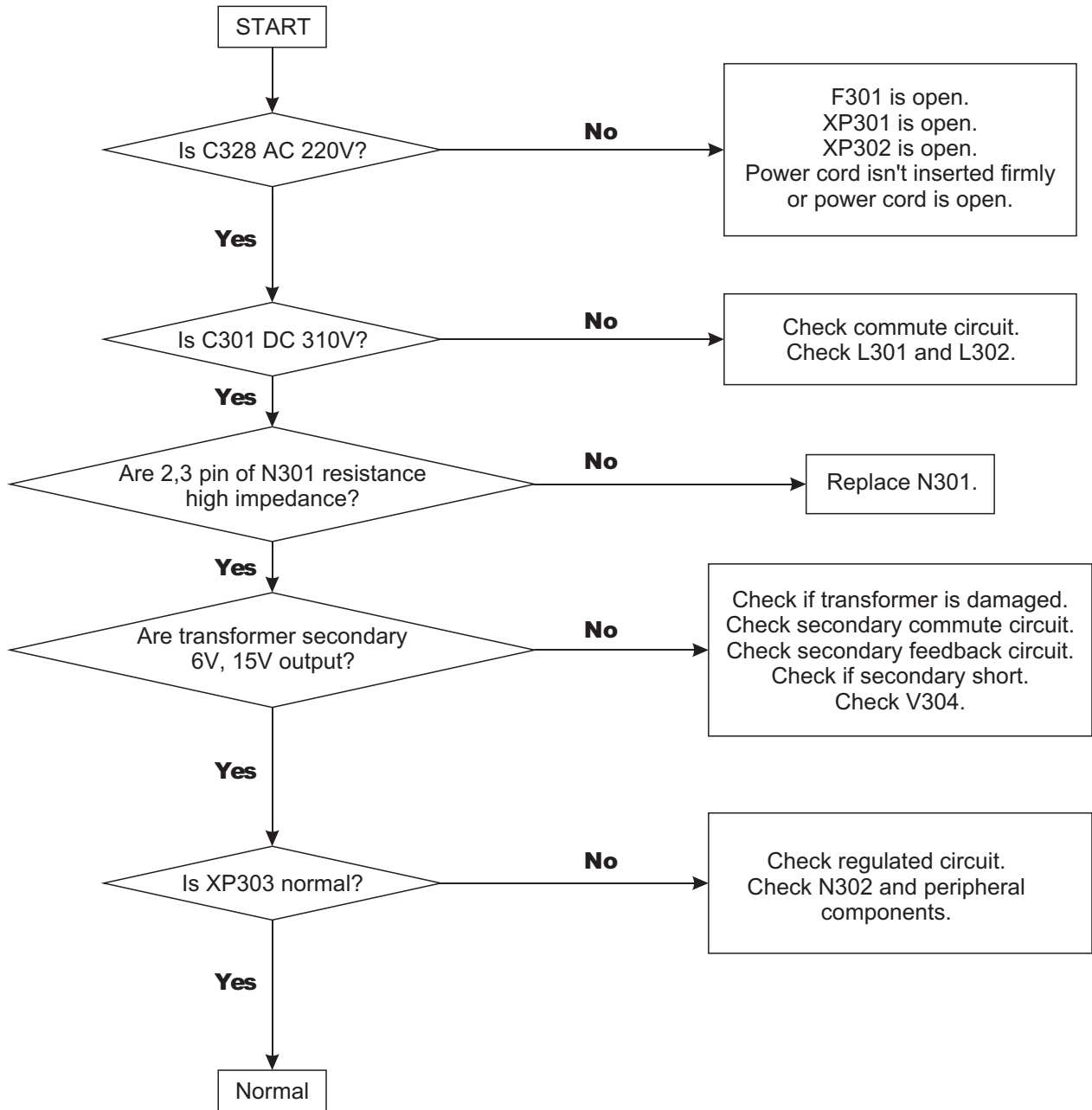


1. OSD
2. DIMMER
3. NUMBER BUTTONS
4. SEARCH
5. SET UP
6. TITLE
7. PLAY
8. PREVIOUS/NEXT
9. STOP
10. DIRECTIONS
11. TV SYSTEM
12. LANGUAGE
13. OUTPUT
14. MUTING
15. SUBTITLE
16. MONO/STEREO
17. A-B REPEAT
18. REPEAT
19. RETURN
20. MENU
21. PAUSE/STEP
22. SLOW
23. ZOOM
24. REMAIN
25. LAST MEMORY
26. TIME SEARCH
27. DIGEST
28. PLAY MODE
29. ANGLE
30. OPEN/CLOSE
31. REMOTE TRANSMITTER
32. POWER

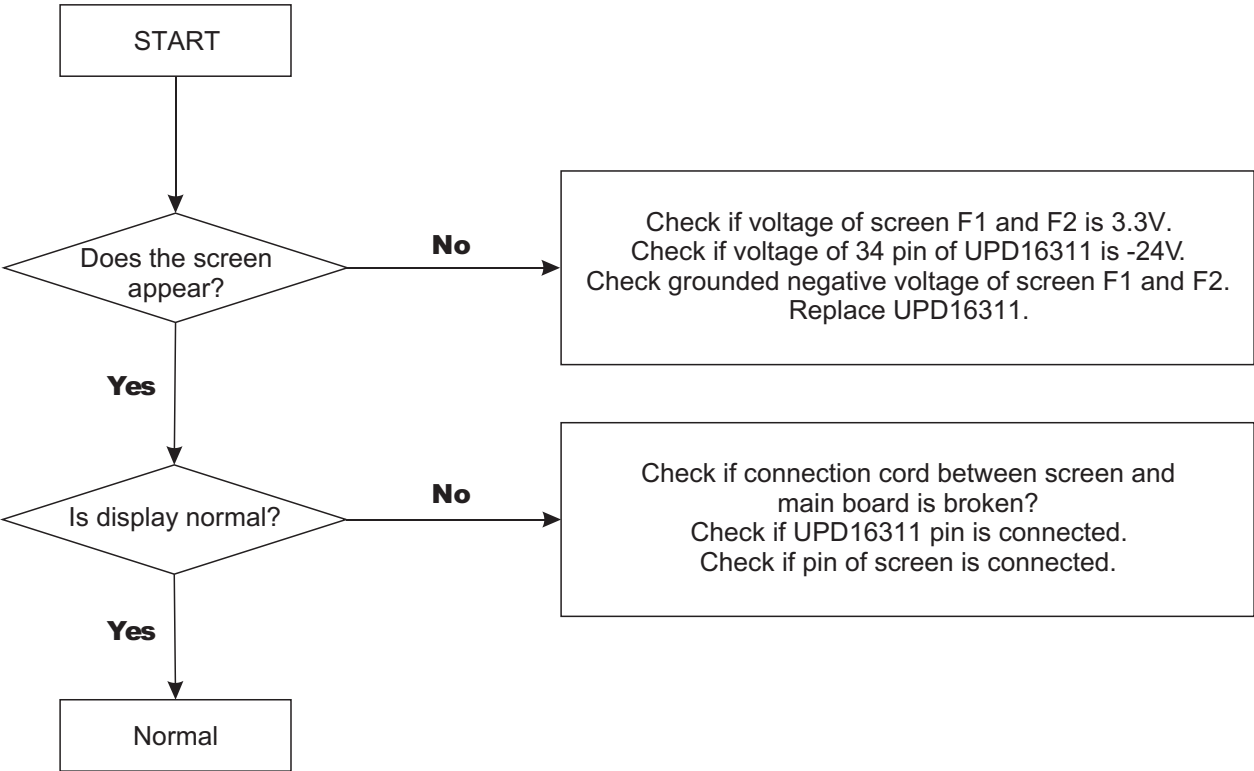
Electrical Trouble Shooting Guide



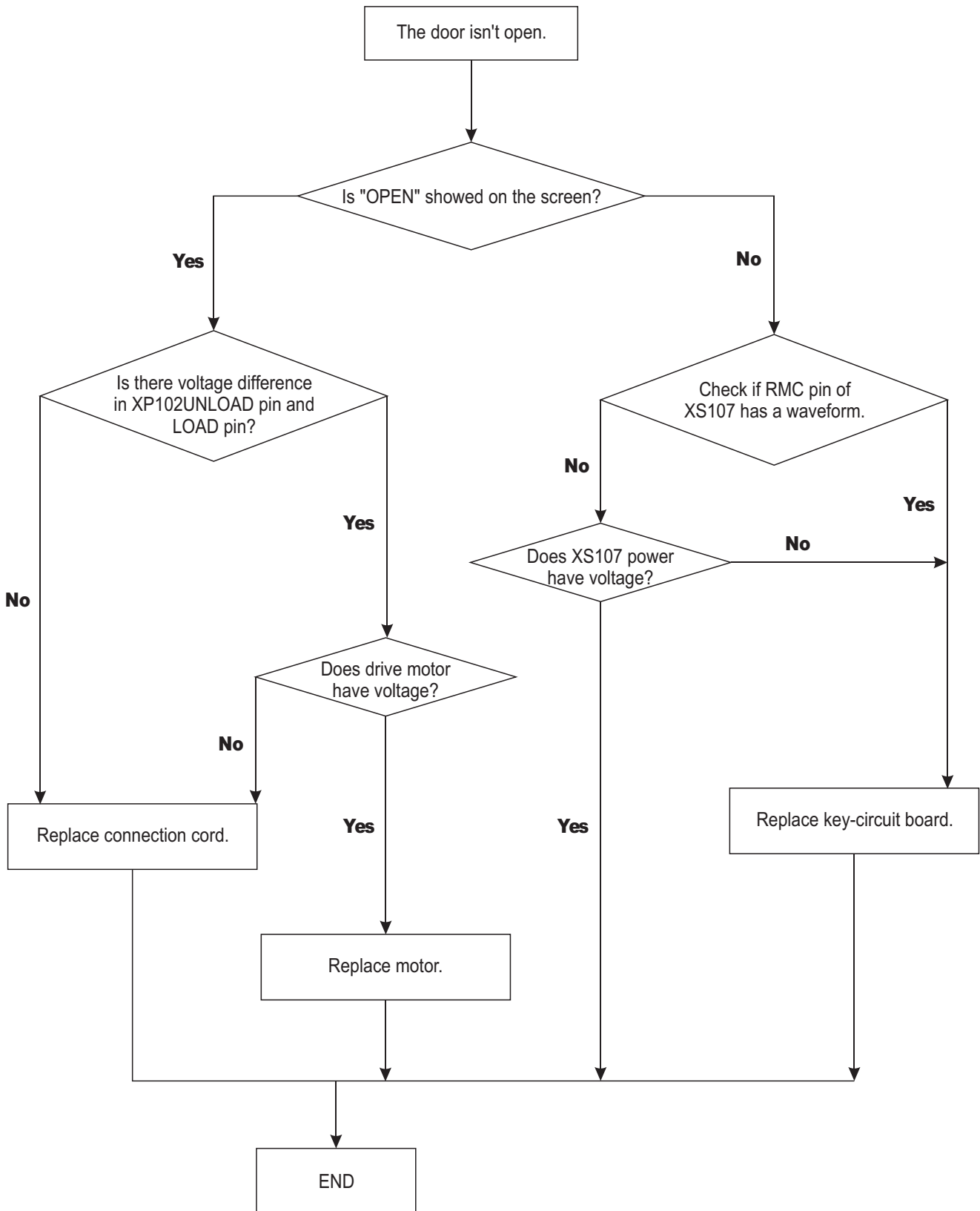
A Power Circuit abnormal



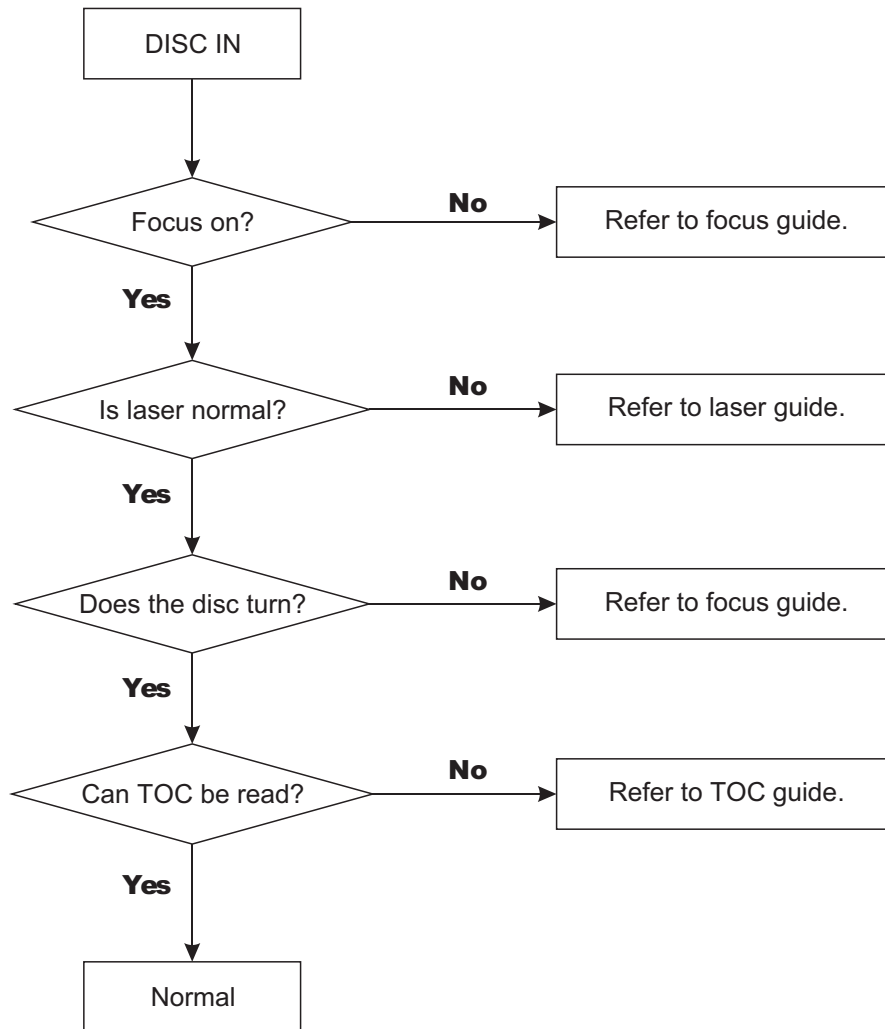
B Display abnormal



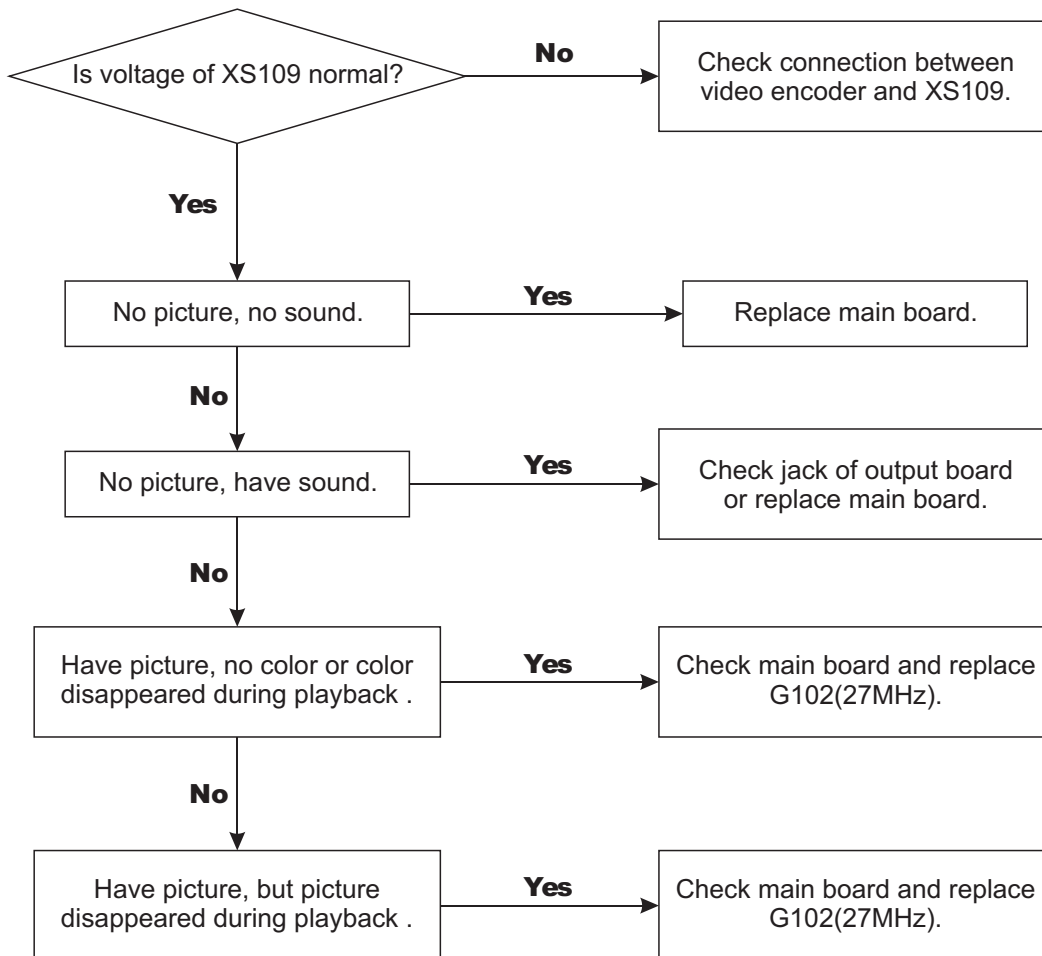
C Open/close abnormal



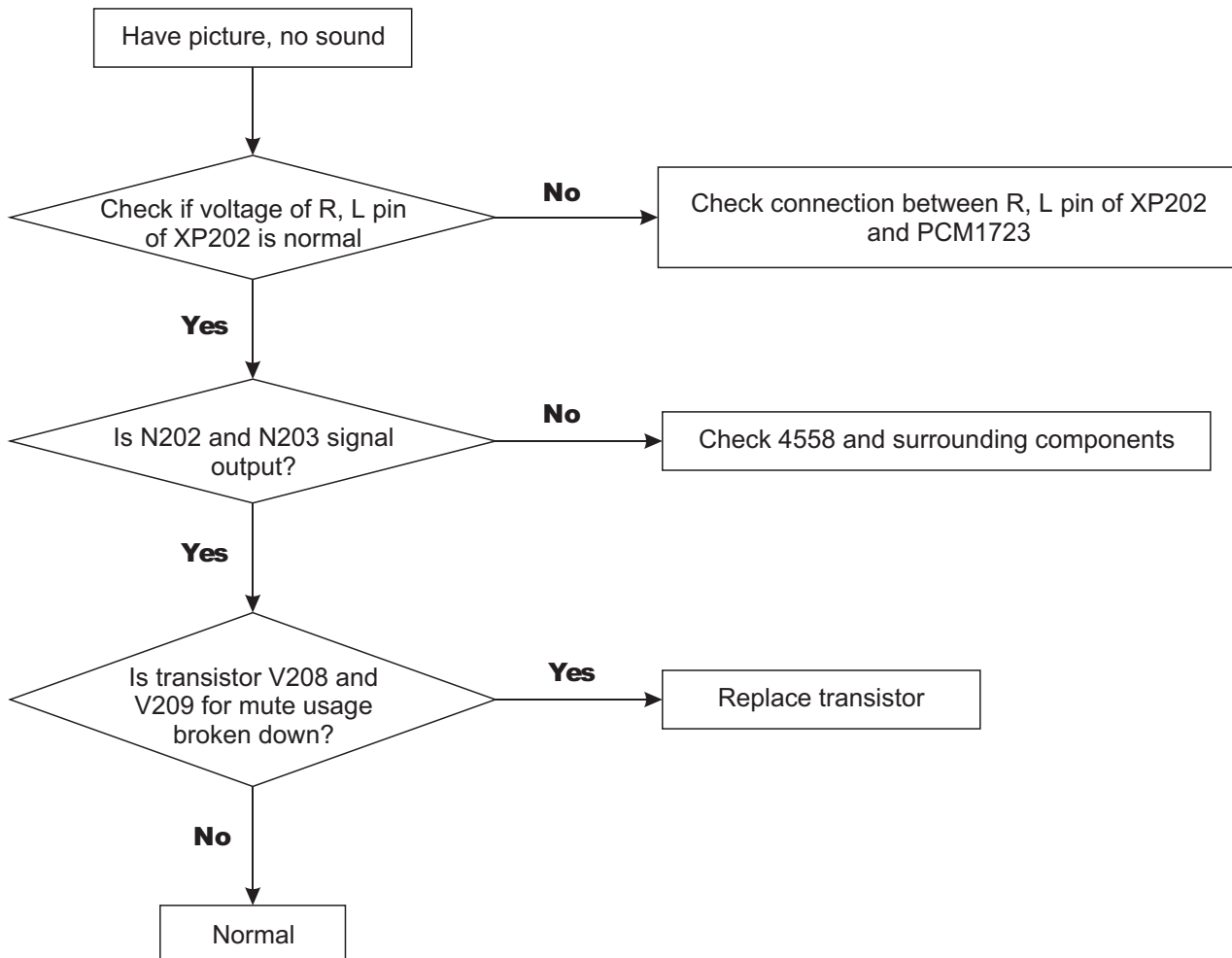
D Read disc abnormal



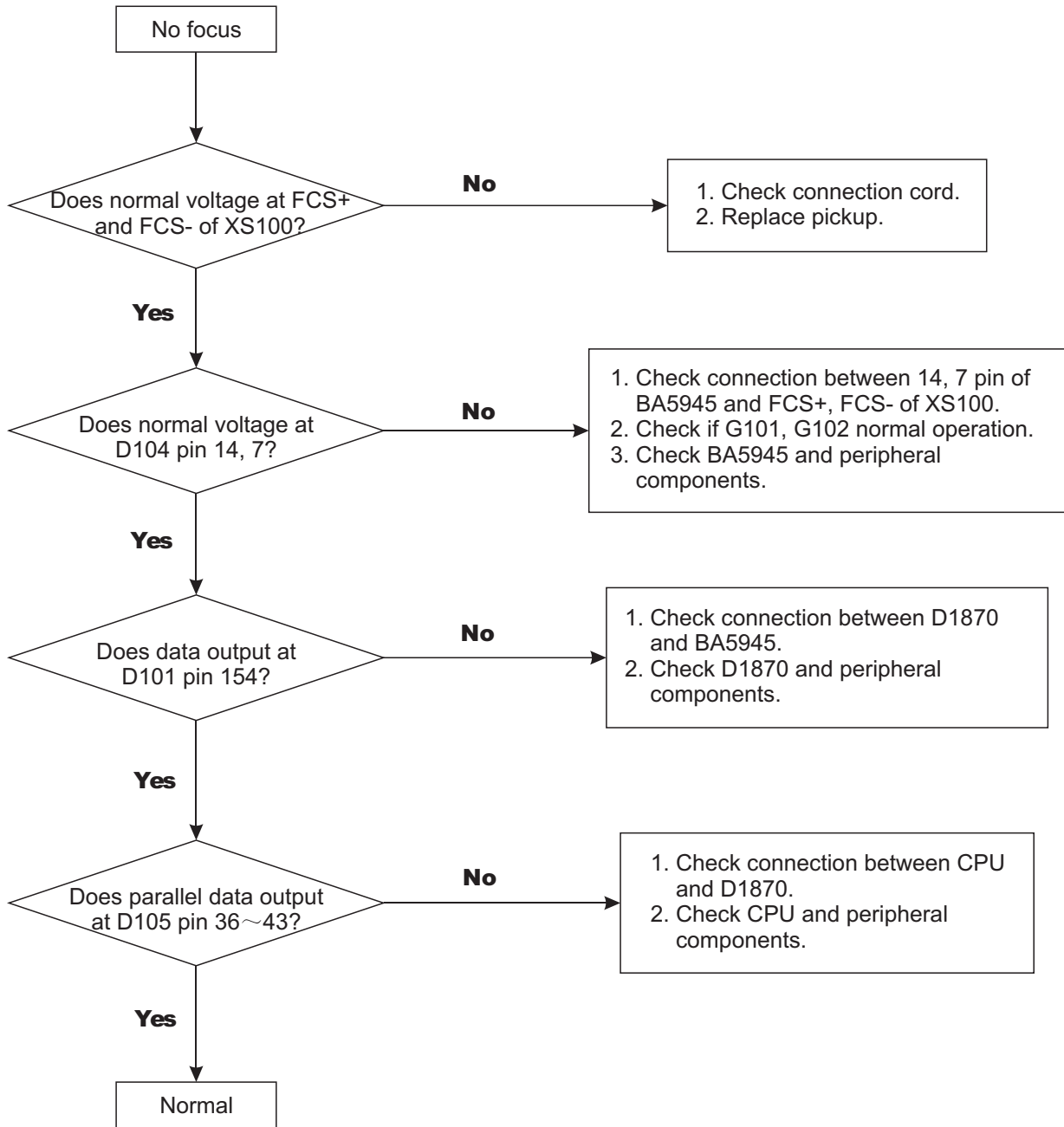
E Video abnormal



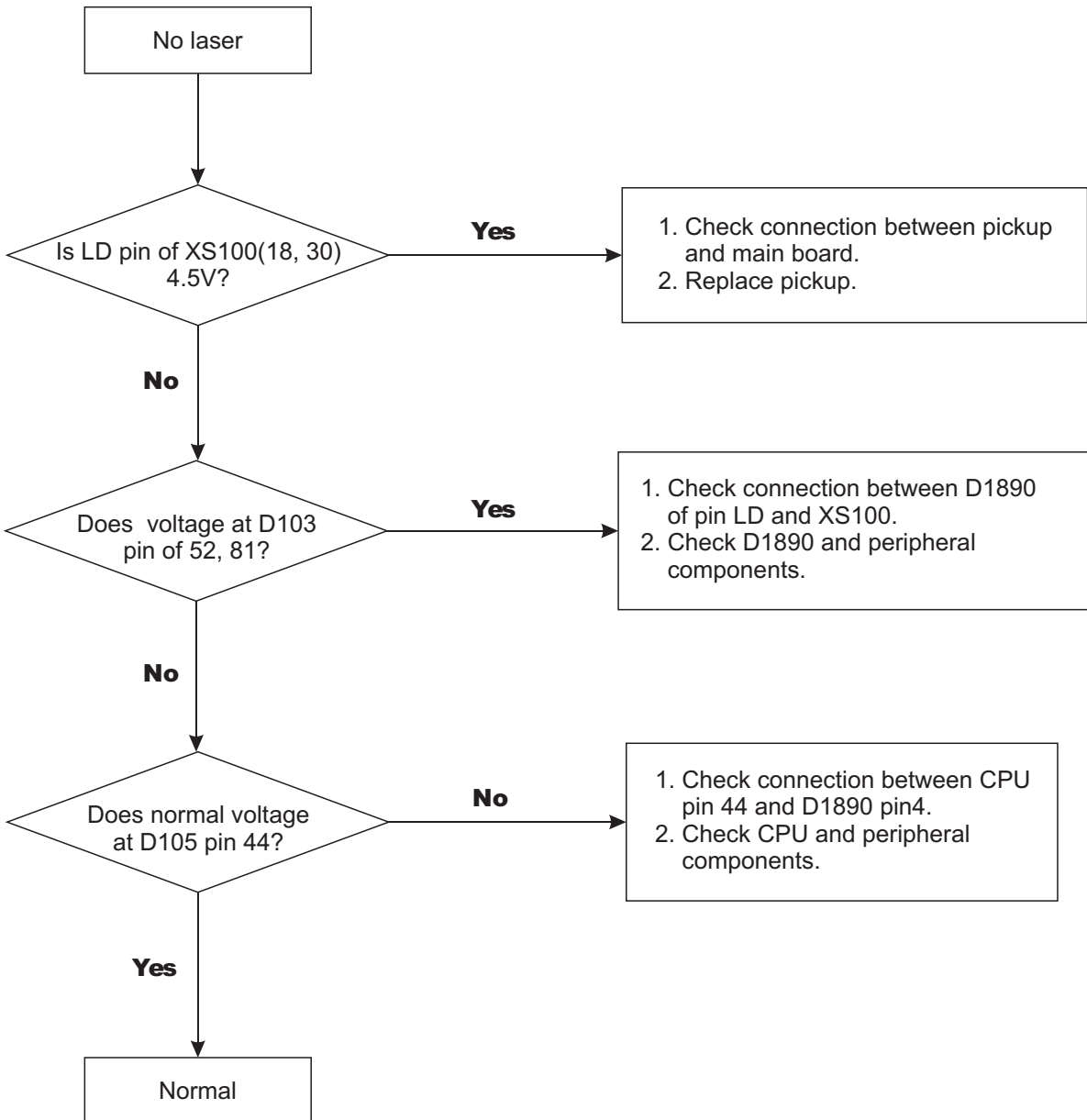
F Audio abnormal



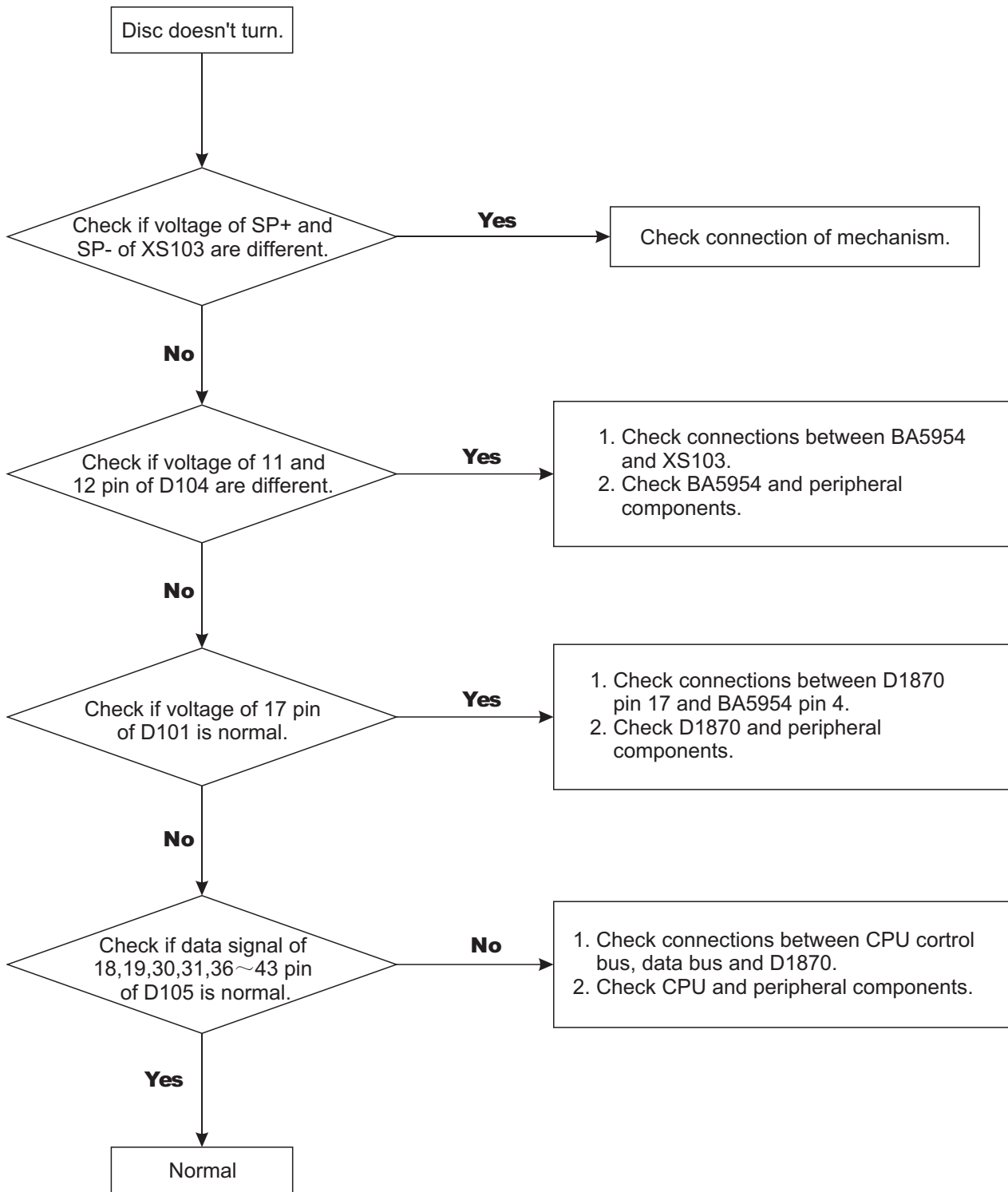
G Focus abnormal



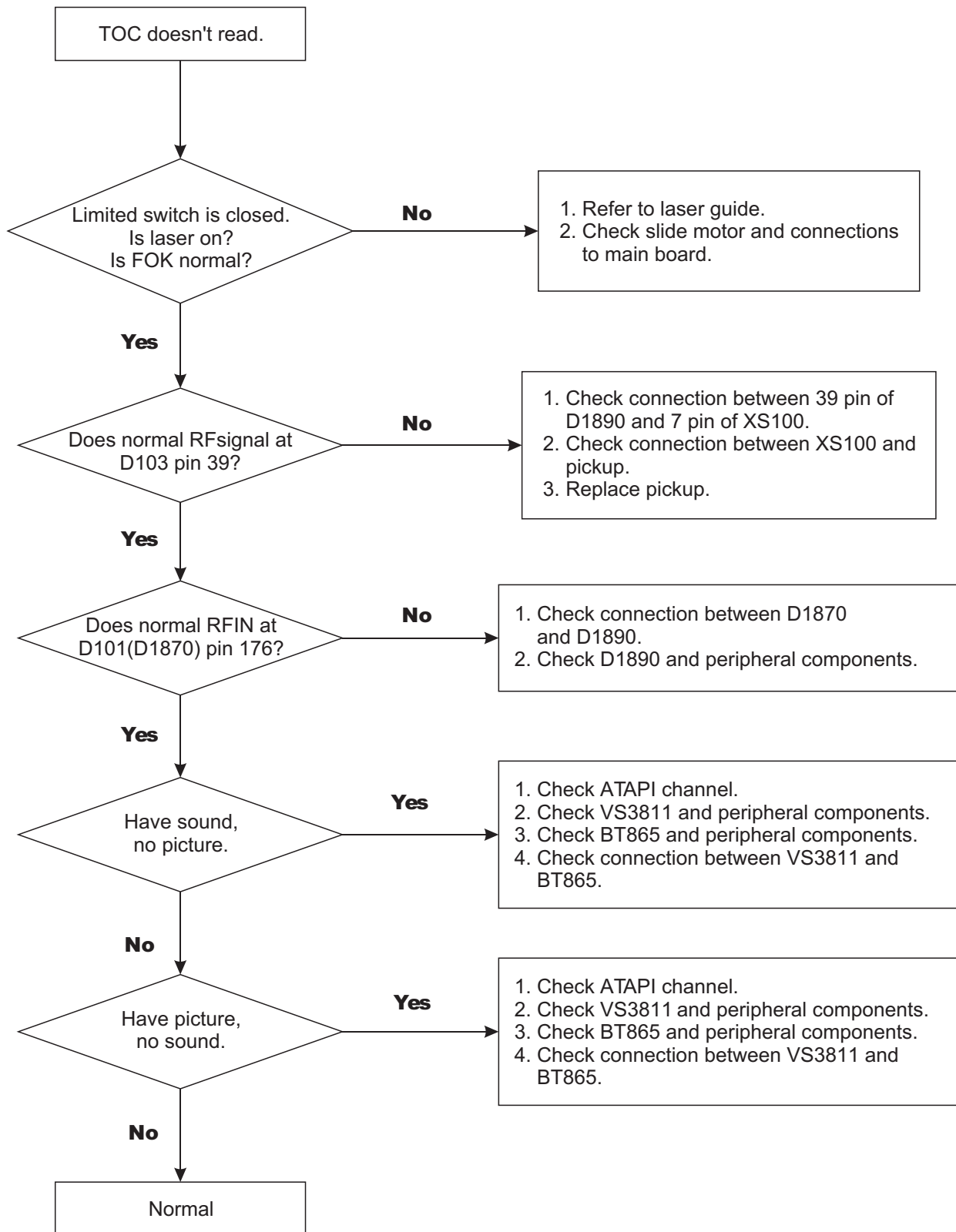
H Laser abnormal

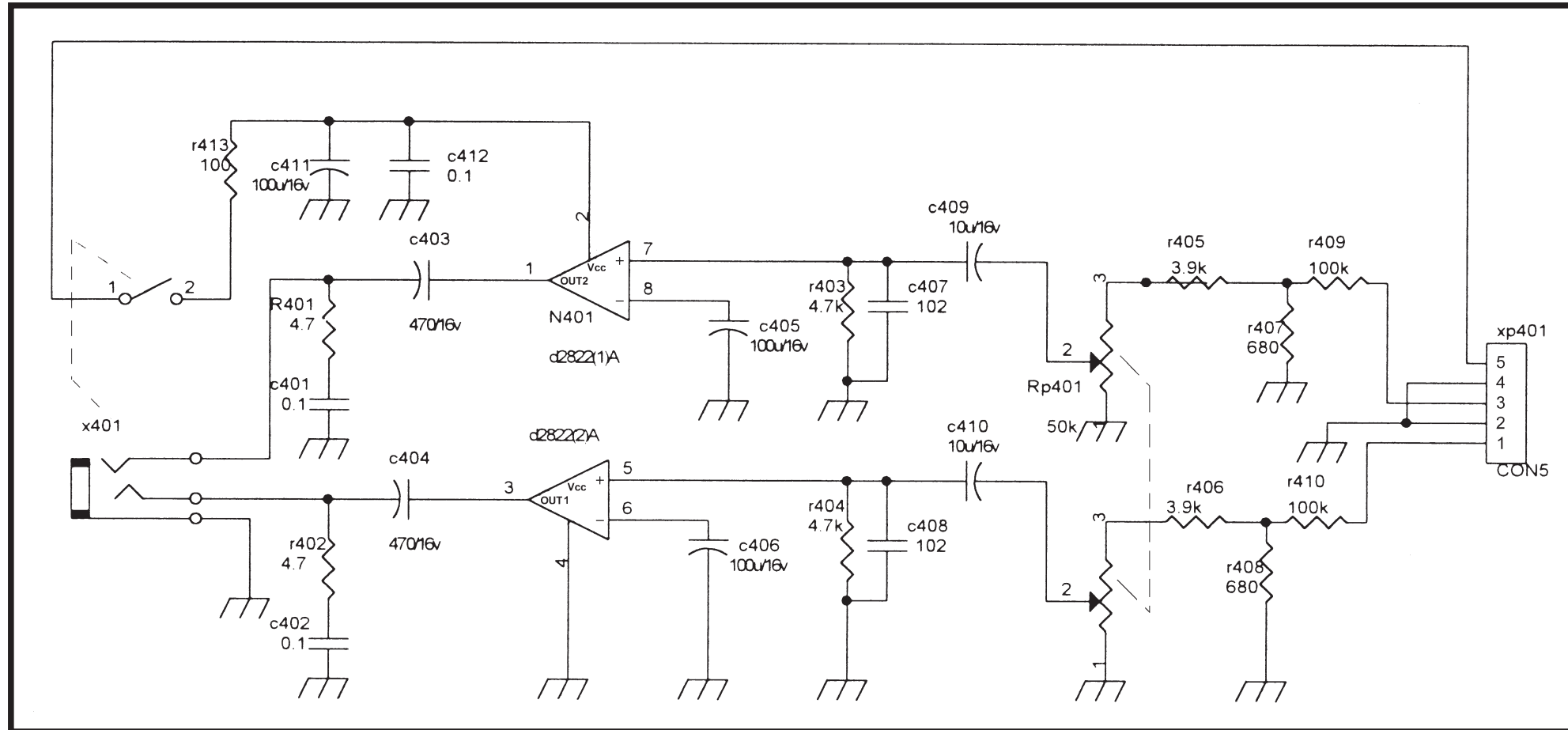


I Turn abnormal

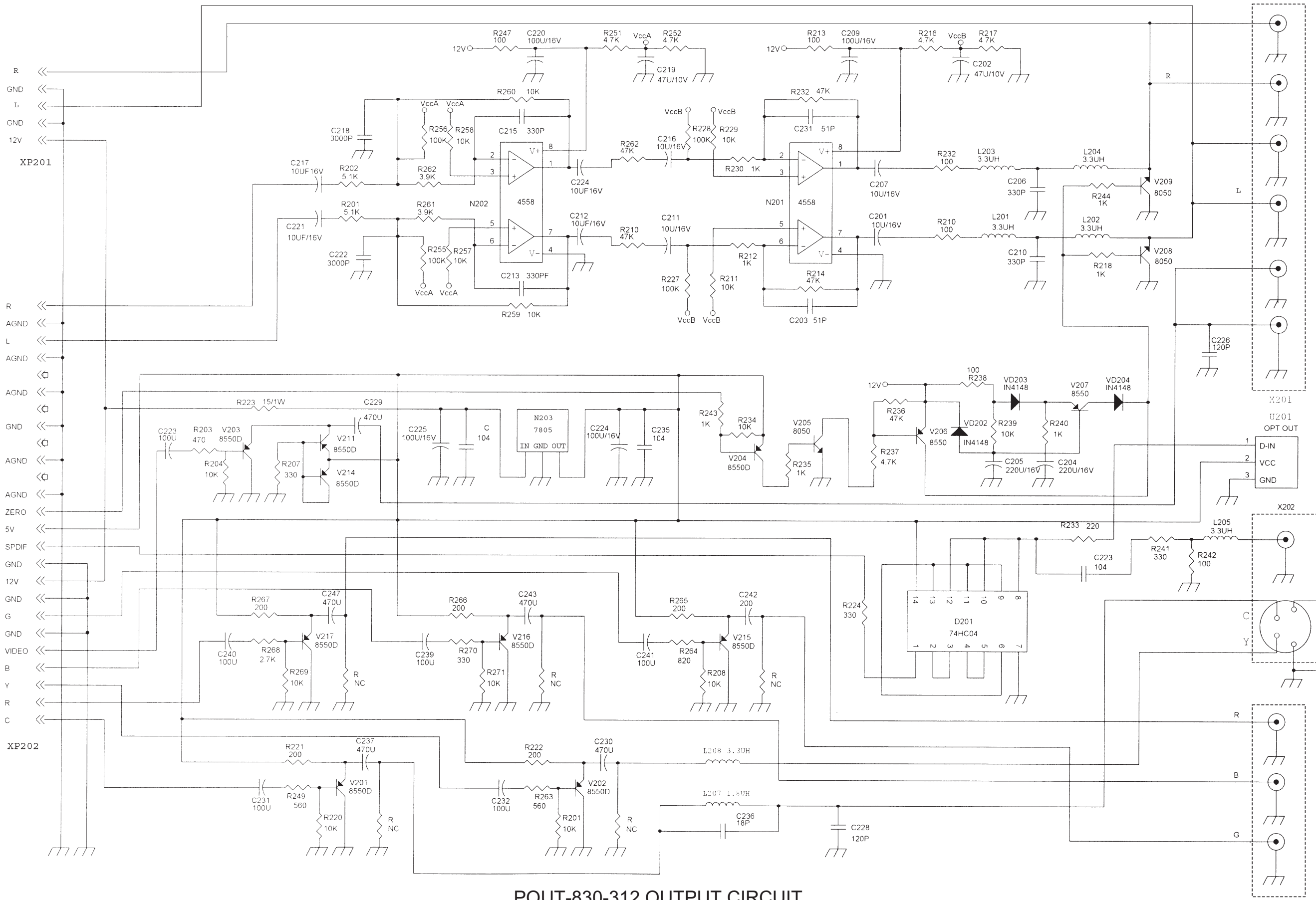


J TOC abnormal

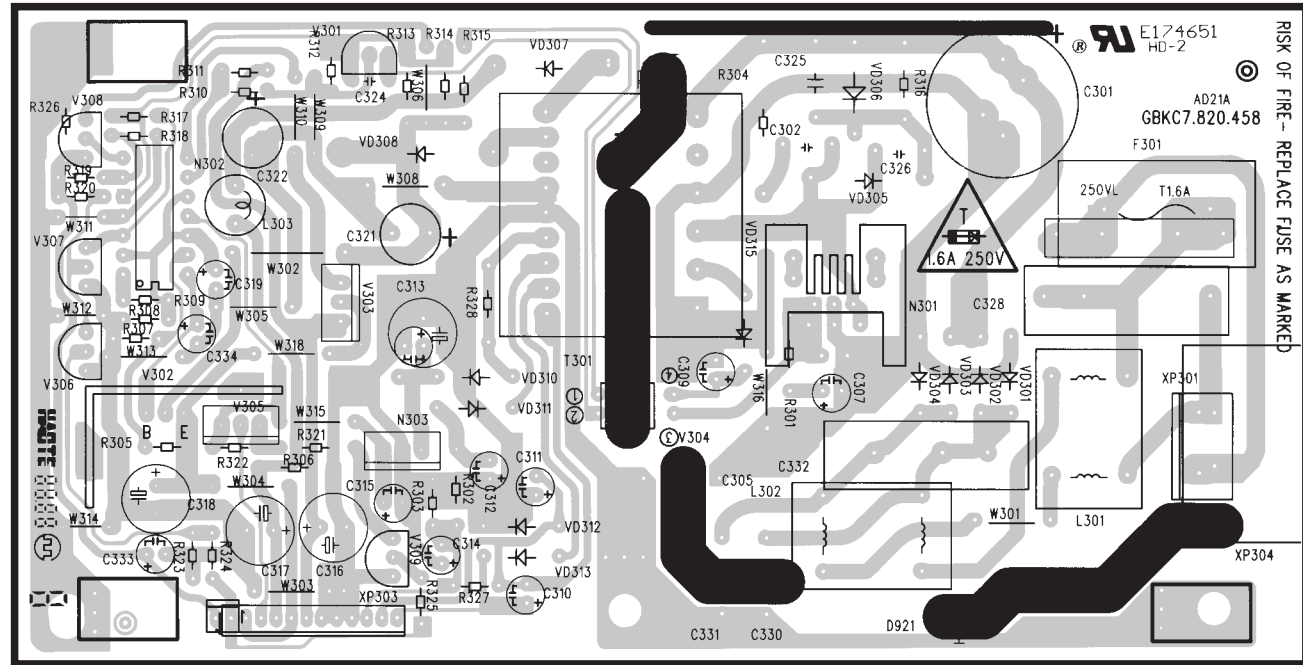




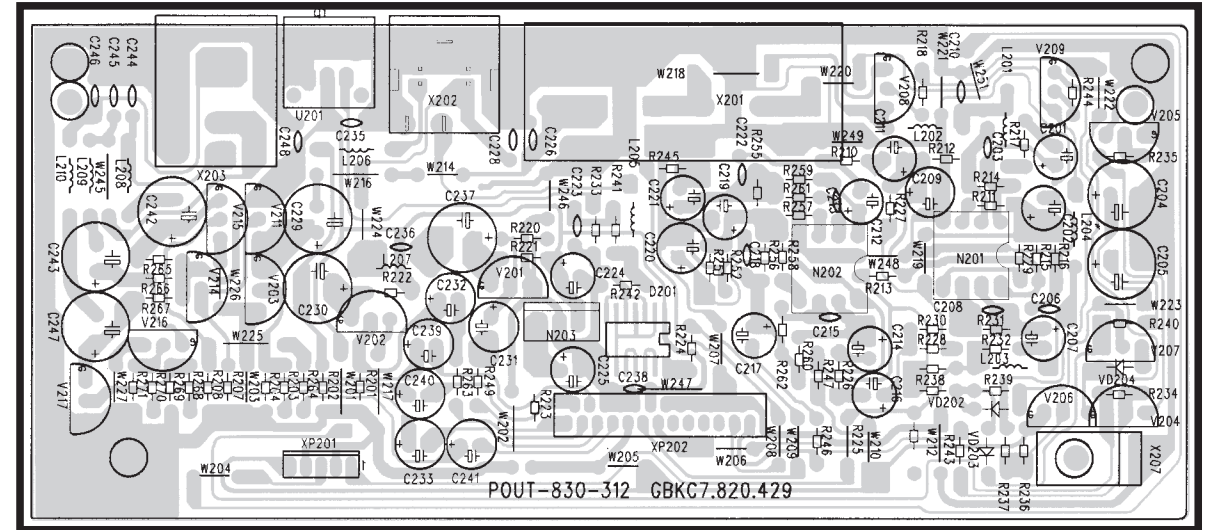
D3000P EARPHONE CIRCUIT



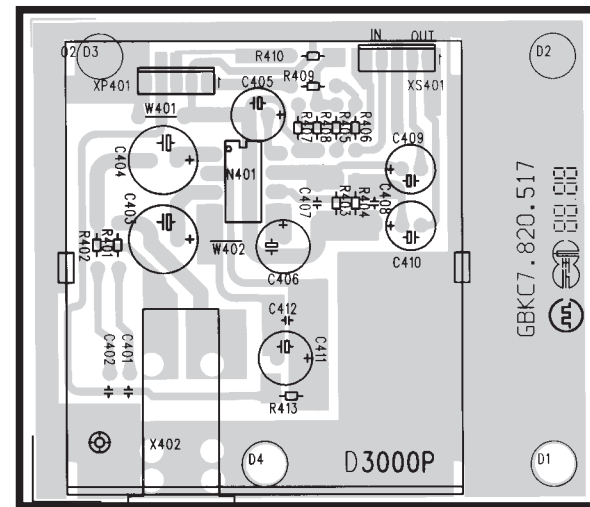
POUT-830-312 OUTPUT CIRCUIT



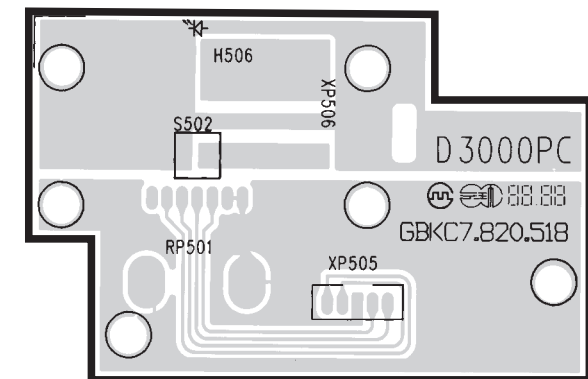
AD21POWER BOARD



POUT-830-312 OUTPUT BOARD

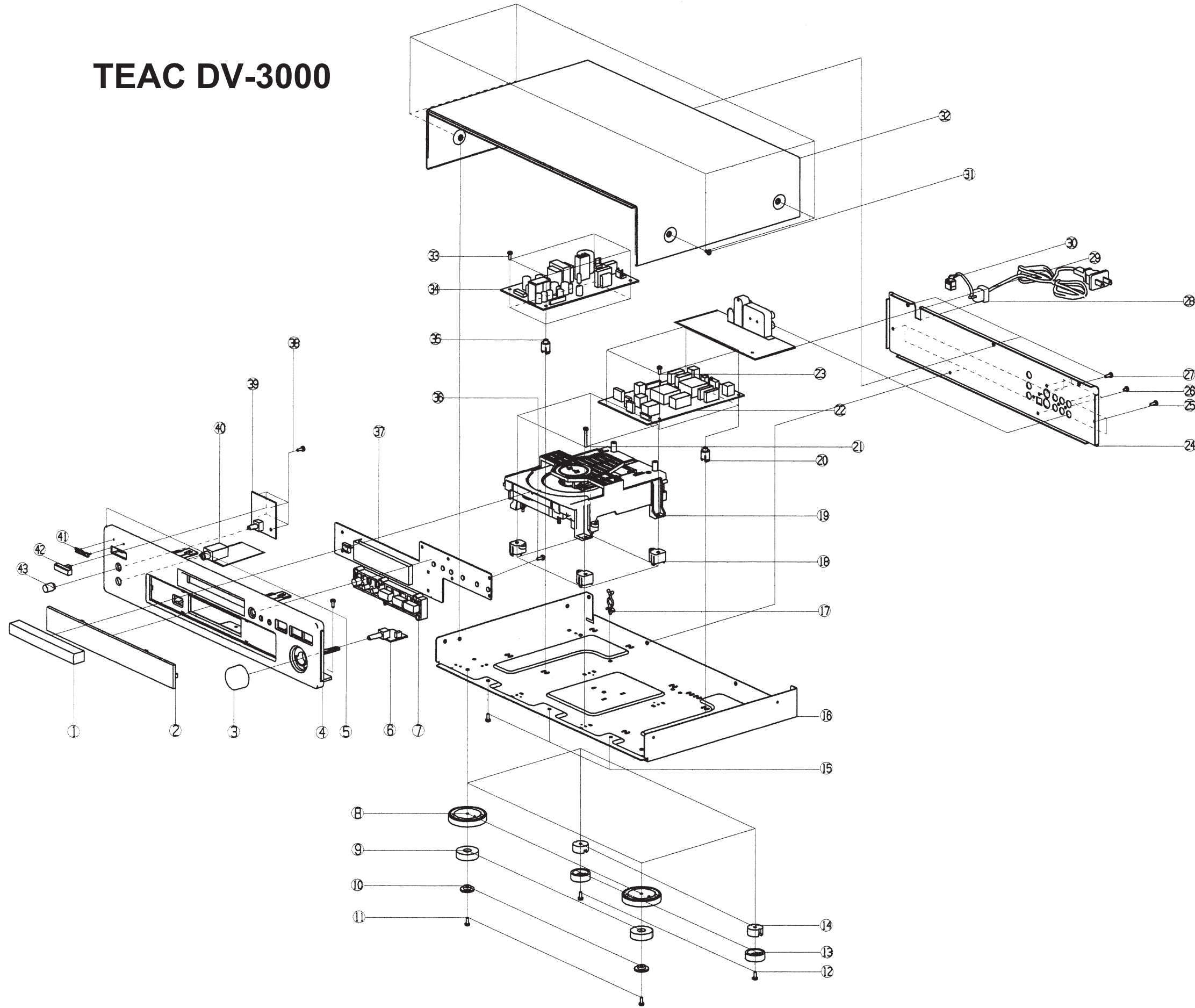


D3000P BOARD



D3100PC BOARD

TEAC DV-3000



(For USA Use)

No.	PARTS No.	PARTS NAME
1	b6032U	DOOR
2	b6038	TRANSPARENT WINDOW
3	b6036H	KNOB
4	b6031U	FRONT PANEL
5	a2793	SCREW M3×6
6		SEARCH SWITCH UNIT
7	b6035H	FUNCTION BUTTON
8	b6033	FOOT D
9	b1633	FOOT SPACER A
10	b1632	FOOT SPACER
11	a2766	SCREW ST3×12
12	a2765	SCREW ST3×10
13	b3019	FOOT B1
14	b3020	FOOT SPACER A1
15	a2793	SCREW M3×6
16	b6027	CHASSIS
17	b3183	WIRE CLIP
18	b6041	MECHANISM SPACER
19	S2278	MECHANISM UNIT
20	b3127	PCB SPACER
21	a2776	SCREW ST3×18
22	0820	MAIN UNIT
23	a2779	SCREW ST3×14
24	b6042	REAR PANEL
25	a2794	SCREW M3×8
26	a2750	SCREW ST3×8
27	a2761	SCREW ST3×6
28	S3025	POWER CORD HOLE
29	S7024	OUTPUT UNIT
30	S2673	POWER CORD
31	a2761	SCREW ST3×6
32	b6029H	TOP PANEL
33	a2777	SCREW ST3×20
34	S2177	POWER UNIT
35	b1626	SPACER
36	a2773	SCREW ST3×8FT
37	0814	KEY UNIT
38	a2794	SCREW M3×8
39	0816	POWER BUTTON UNIT
40	S7020	PHONE UNIT
41		TEAC CHARACTER
42	b6034H	POWER BUTTON
43	b6037H	ECHO KNOB

(For JAPAN Use)

No.	PARTS No.	PARTS NAME
1	b6045J	DOOR
2	b6038	TRANSPARENT WINDOW
3	b6036J	KNOB
4	b6044J	FRONT PANEL
5	a2793	SCREW M3×6
6		SEARCH SWITCH UNIT
7	b6035J	FUNCTION BUTTON
8	b6033	FOOT D
9	b1633	FOOT SPACER A
10	b1632	FOOT SPACER
11	a2766	SCREW ST3×12
12	a2765	SCREW ST3×10
13	b3019	FOOT B1
14	b3020	FOOT SPACER A1
15	a2793	SCREW M3×6
16	b6027	CHASSIS
17	b3183	WIRE CLIP
18	b6041	MECHANISM SPACER
19	S2277	MECHANISM UNIT
20	b3127	PCB SPACER
21	a2776	SCREW ST3×18
22	0820	MAIN UNIT
23	a2779	SCREW ST3×14
24	b6046	REAR PANELD
25	a2794	SCREW M3×8
26	a2750	SCREW ST3×8
27	a2761	SCREW ST3×6
28	S3024	POWER CORD HOLE
29	S2144	OUTPUT UNIT
30	S2676	POWER CORD
31	a2761	SCREW ST3×6
32	b6029J	TOP PANEL
33	a2777	SCREW ST3×20
34	S7032	POWER UNIT
35	b1626	SPACER
36	a2773	SCREW ST3×8FT
37	0813	KEY UNIT
38	a2794	SCREW M3×8
39	0815	POWER BUTTON UNIT
40	S7039	PHONE UNIT
41		TEAC CHARACTER
42	b6034J	POWER BUTTON
43	b6037J	ECHO KNOB

REPLACEMENT PARTS LIST

(For USA Use)

PARTS No.	PARTS NAME	QTY	PRICE	PARTS No.	PARTS NAME	QTY	PRICE
DV-3000 (USA)							
S2278	KHL-231A2M(UL) MECHANISM UNIT	1		G0735	RT13-0.167W-10K ± 5%	3	
0820	DSM6012M MAIN UNIT	1		G0753	RT13-0.167W-100K ± 5%	1	
0814	DVD3100Ku UNIT	1		G0017	RT14-0.25W-47 ± 5%	1	
S7024	POUT-830-312u OUTPUT UNIT	1		G0032	RT14-0.25W-330 ± 5%	1	
S2177	AD21A POWER UNIT	1		G0036	RT14-0.25W-470 ± 5%	2	
S7020	D3000Pu PHONE UNIT	1		G0053	RT14-0.25W-2.7K ± 5%	1	
S1010	DV3000 INSTRUCTION MANUAL	1		G0059	RT14-0.25W-4.7K ± 5%	1	
S2655	RCA CORD AV	1		G0086	RT14-0.25W-68K ± 5%	1	
S3125	KHL230 MECHANISM CORD	1		a0514	RY28-3W-2.2K ± 5%	1	
S3149	CC-1.0-25 × 65 FLAT FOIL WIRE	1		DIODE			
S3142	CC-1.0-12 × 100 FLAT FOIL WIRE	1		a5005	IN4007	4	
S3127	CC-0.5-33 × 220 FLAT FOIL WIRE	1		a1205	RU-1P	1	
S0670	RC-805 REMOTER	1		a1225	P6KE200	1	
S2708	BATTERY	2		a1507	10ELS4	3	
S3025	POWER CORD HOLE	1		a1568	31DQ06	1	
S2673	UL POWER CORD	1		a1203	RU2YX	1	
S2815	XC-T05 MAGNETIC RING	1		a1560	11EFS2	1	
0816	DVD3100Pcu UNIT	1		CAPACITOR			
DVD3100Ku UNIT							
RESISTOR							
G0753	RT13-0.167W-100K ± 5%	1		a2063	CT81-1KV-2B4-470K	1	
G0705	RT13-0.167W-10 ± 5%	2		a3312	CT81-AC400V-2B4-471K-YA	2	
G0735	RT13-0.167W-10K ± 5%	8		a3313	CT81-AC400V-2E-222M-YA	1	
G0719	RT13-0.167W-1K ± 5%	1		a3350	CIS-280VAC-X2-0.01K	1	
G0714	RT13-0.167W-180 ± 5%	1		a3447	CIS-280VAC-0.22M	1	
G0728	RT13-0.167W-4.7K ± 5%	2		a2056	CSI-63V-0.1u+80%	1	
CAPACITOR							
a3304	CT4-0.1u+50%-63V	2		a3588	CD11-50V-1u ± 20%	1	
a3540	CD110X-100u+50%-6.3V	2		a3512	CD11-16V-47u ± 20%	1	
OTHER							
a5004	IN4148 DIODE	3		a3559	CD11-10V-220u ± 20%	1	
G6434	TOUCH EVQ21504M(4.5mm)	6		a3509	CD11-16V-10u ± 20%	2	
a6444	HS0038 RECEIVER	1		a3558	CD11-10V-100u ± 20%	1	
P4399	UPD16311	1		a3513	CD11-16V-100u ± 20%	1	
a6783	FLAT FOIL SOCKET(12)	1		a3519	CD11-25V-100u ± 20%	1	
a6765	DISPLAY VFD25-0705	1		a3607	CD11-50V-22u ± 20%	2	
a5014	C8050 TRIODE	1		a3561	CD11-10V-470u ± 20%	4	
a6508	B-3B-PH SOCKET	1		a3676	CD288-10V-1000u ± 20%	1	
a6216	RH3-3W1D	1		a3645	CD295-450V-68u ± 20%	1	
a8816	SEARCH SWITCH WIRE	1		TRIODE.IC .PHOTOACTOR			
a8811	D3100 KEY WIRE	1		a5063	3DA3852	2	
D3000Pu PHONE UNIT							
RESISTOR							
G0704	RT13-0.167W-4.7 ± 5%	2		a4031	KA7812	1	
G0712	RT13-0.167W-100 ± 5%	1		a4584	TOP223Y	1	
G0778	RT13-0.167W-680 ± 5%	2		a4557	KA431LZ	1	
G0726	RT13-0.167W-3.9K ± 5%	2		a5094	PC123	1	
G0735	RT13-0.167W-10K ± 5%	2		a4026	LM324	1	
G0753	RT13-0.167W-100K ± 5%	2		a5055	2SB772	1	
CAPACITOR							
a3304	CT4-0.1u+50%-63V	3		a5009	C9014C	2	
a2042	CT1-63V-1000p ± 20%	2		a5014	C8050	2	
a3509	CD110-10u+50%-16V	2		INDUCTOR			
a3609	CD110-100u+50%-16V	3		a6629	LV-F2030	1	
a3561	CD110-470u+50%-10V	2		a6621	COIL-0.02Mh	1	
OTHER							
a4005	D2822 CIRCUIT	1		a6686	LV-R1487	1	
a6920	CKX-6.35-3A MIC JACK	1		SWITCH TRANSFORMER			
a6510	B-5B-PH SOCKET	1		a6764	BCK-R800A	1	
a8647	SCART PHONE WIRE	1		FUSE			
D3100Pcu UNIT							
G6434	TOUCH EVQ21504M(4.5mm)	1		a6763	RT1.6A/250V	1	
a1576	1 × 3.5 RED LED	1		OTHER			
a8732	ECHO CONNECT WIRE	1		a6929	FC502H FUSE HOLDER	2	
a0639	WH142A-1-50KC-15-5	1		a8783	AD21A DC POWER CORD(UL)	1	
AD21A POWER UNIT							
RESISTOR							
G0778	RT13-0.167W-680 ± 5%	2		a6507	B-2B-PH SOCKET	1	
G0719	RT13-0.167W-1K ± 5%	2		a6826	3951P03V SOCKET	1	
G0720	RT13-0.167W-1.2K ± 5%	1		POUT-830-312u OUTPUT UNIT			
G0721	RT13-0.167W-2K ± 5%	5		RESISTOR			
G0728	RT13-0.167W-4.7K ± 5%	3		G0712	RT13-0.167W-100 ± 5%	7	
RESISTOR							
G0773	RT13-0.167W-200 ± 5%	1		G0774	RT13-0.167W-220 ± 5%	5	
G0774	RT13-0.167W-220 ± 5%	5		G0717	RT13-0.167W-330 ± 5%	3	
G0717	RT13-0.167W-330 ± 5%	3		G0814	RT13-0.167W-390 ± 5%	1	
G0814	RT13-0.167W-390 ± 5%	1		G0776	RT13-0.167W-560 ± 5%	2	
G0776	RT13-0.167W-560 ± 5%	2		G0779	RT13-0.167W-820 ± 5%	1	
G0779	RT13-0.167W-820 ± 5%	1		G0719	RT13-0.167W-1K ± 5%	6	
G0719	RT13-0.167W-1K ± 5%	6		G0724	RT13-0.167W-3K ± 5%	2	
G0724	RT13-0.167W-3K ± 5%	2		G0728	RT13-0.167W-4.7K ± 5%	5	
G0728	RT13-0.167W-4.7K ± 5%	5		G0729	RT13-0.167W-5.1K ± 5%	2	
G0729	RT13-0.167W-5.1K ± 5%	2		G0735	RT13-0.167W-10K ± 5%	15	
G0735	RT13-0.167W-10K ± 5%	15					

PARTS No.	PARTS NAME	Q TY PRICE
G0748	RT13-0.167W-47K±5%	3
G0753	RT13-0.167W-100K±5%	4
G0723	RT13-0.167W-2.7K±5%	1
G0749	RT13-0.167W-51K±5%	2
a0519	RY15-1W-15±5%	1
CAPACITOR		
a2014	CC1-63V-51p±10%	1
a2024	CC1-63V-51p±10%	2
a2307	CC1-50V-330p±5%	3
a2028	CC1-63V-120p±10%	1
a3009	CL11-63V-3000p±10%	2
a3336	CT1-63V-0.1u+80%	3
a3509	CD110X-16V-10u±20%	8
a3512	CD110X-16V-47u±20%	2
a3513	CD110X-16V-100u+80%	10
a3514	CD110X-16V-220u+80%	2
a3561	CD110X-16V-470u+80%	6
a2308	CT1-50V-680p±5%	1
INDUCTOR		
a6552	1.8uH	2
a6452	3.3uH	5
DIODE		
a5004	IN4148	3
TRIODE、CIRCUIT		
a5104	8550D(β:200~300)	8
a5014	C8050	3
a5011	C9015C	2
P4516	74HCU04A	1
a4042	AN4558	2
a4571	CW7805	1
a4707	TOT×178A	1
OTHER		
a6774	CKX06-C JACK	1
a6762	CS-01 JACK	1
a6857	CKX03-GBR JACK	1
a6510	B-5B-PH SOCKET	1
a6613	52806-2510 SOCKET	1

REPLACEMENT PARTS LIST

(For JAPAN Use)

PARTS No.	PARTS NAME	QTY	PRICE	PARTS No.	PARTS NAME	QTY	PRICE
DV-3000 (JAPAN)							
S2277	KHL-231A2M MECHANISM UNIT	1		G0017	RT14-0.25W-47±5%	1	
0820	DSM6012M MAIN UNIT	1		G0032	RT14-0.25W-330±5%	1	
0813	DVD3100K UNIT	1		G0036	RT14-0.25W-470±5%	2	
S2144	POUT-830-312 OUTPUT UNIT	1		G0053	RT14-0.25W-2.7K±5%	1	
S7032	AD21B POWER UNIT	1		G0059	RT14-0.25W-4.7K±5%	1	
S7039	D3000PA PHONE UNIT	1		G0086	RT14-0.25W-68K±5%	1	
S2655	RCA CORD AV	1		a0514	RY28-3W-2.2K±5%	1	
S3125	KHL230 MECHANISM CORD	1		DIODE			
S3149	CC-1.0-25×65 FLAT FOIL WIRE	1		a5005	IN4007	4	
S3142	CC-1.0-12×100 FLAT FOIL WIRE	1		a1205	RU-1P	1	
S3127	CC-0.5-33×220 FLAT FOIL WIRE	1		a1225	P6KE200	1	
S0670	RC-805 REMOTER	1		a1507	10ELS4	3	
S2708	BATTERY	2		a1568	31DQ06	1	
S3024	POWER CORD HOLE	1		a1203	RU2YX	1	
S2676	JIS POWER CORD	1		a1560	11EFS2	1	
0815	DVD3100PC UNIT	1		CAPACITOR			
DVD3100K UNIT							
RESISTOR							
G0753	RT13-0.167W-100K±5%	1		a2063	CT81-1KV-2B4-470K	1	
G0705	RT13-0.167W-10±5%	2		a3312	CT81-AC400V-2B4-471K-YA	2	
G0735	RT13-0.167W-10K±5%	8		a3313	CT81-AC400V-2E-222M-YA	1	
G0719	RT13-0.167W-1K±5%	1		a3350	CIS-280VAC-X2-0.01K	1	
G0714	RT13-0.167W-180±5%	1		a3447	CIS-280VAC-0.22M	1	
G0728	RT13-0.167W-4.7K±5%	2		a2056	CSI-63V-0.1u+80%	1	
CAPACITOR							
a3304	CT4-0.1u+50%-63V	2		a3588	CD11-50V-1u±20%	1	
a3540	CD110X-100u+50%-6.3V	2		a3512	CD11-16V-47u±20%	1	
OTHER							
a5004	IN4148 DIODE	3		a3559	CD11-10V-220u±20%	1	
G6434	TOUCH EVQ21504M(4.5mm)	6		a3509	CD11-16V-10u±20%	2	
a6444	HS0038 RECEIVER	1		a3558	CD11-10V-100u±20%	1	
P4399	UPD16311	1		a3513	CD11-16V-100u±20%	1	
a6783	FLAT FOIL SOCKET(12)	1		a3519	CD11-25V-100u±20%	1	
a6765	DISPLAY VFD25-0705	1		a3607	CD11-50V-22u±20%	2	
a5014	C8050 TRIODE	1		a3561	CD11-10V-470u±20%	4	
a6508	B-3B-PH SOCKET	1		a3676	CD288-10V-1000u±20%	1	
a6216	RH3-3W1D	1		a3645	CD295-450V-68u±20%	1	
a8816	SEARCH SWITCH WIRE	1		TRIODE.IC PHOTOACTOR			
a8811	D3100 KEY WIRE	1		a5063	3DA3852	2	
D3000P PHONE UNIT							
RESISTOR							
G0704	RT13-0.167W-4.7±5%	2		a4031	KA7812	1	
G0712	RT13-0.167W-100±5%	1		a4584	TOP223Y	1	
G0778	RT13-0.167W-680±5%	2		a4557	KA431LZ	1	
G0726	RT13-0.167W-3.9K±5%	2		a5094	PC123	1	
G0735	RT13-0.167W-10K±5%	2		a4026	LM324	1	
G0753	RT13-0.167W-100K±5%	2		a5055	2SB772	1	
CAPACITOR							
a3304	CT4-0.1u+50%-63V	3		a5009	C9014C	2	
a2042	CT1-63V-1000p±20%	2		a5014	C8050	2	
a3509	CD110-10u+50%-16V	2		INDUCTOR			
a3609	CD110-100u+50%-16V	3		a6629	LV-F2030	1	
a3561	CD110-470u+50%-10V	2		a6621	COIL-0.02mH	1	
OTHER							
a4005	D2822 CIRCUIT	1		a6686	LV-R1487	1	
a6920	CKX-6.35-3A MIC JACK	1		SWITCH TRANSFORMER			
a6510	B-5B-PH SOCKET	1		a6764	BCK-R800A	1	
a8647	SCART PHONE WIRE	1		FUSE			
D3100PC UNIT							
G6434	TOUCH EVQ21504M(4.5mm)	1		a6948	RT1.6A/250V	1	
a1576	1×3.5 RED LED	1		OTHER			
a8732	ECHO CONNECT WIRE	1		a6929	FC502H FUSE HOLDER	2	
a0639	WH142A-1-50KC-15-5	1		a8783	AD21A DC POWER CORD(UL)	1	
AD21B POWER UNIT							
RESISTOR							
G0778	RT13-0.167W-680±5%	2		a6507	B-2B-PH SOCKET	1	
G0719	RT13-0.167W-1K±5%	2		a6826	3951P03V SOCKET	1	
G0720	RT13-0.167W-1.2K±5%	1		POUT-830-312 OUTPUT UNIT			
G0721	RT13-0.167W-2K±5%	5		RESISTOR			
G0728	RT13-0.167W-4.7K±5%	3		G0712	RT13-0.167W-100±5%	7	
G0735	RT13-0.167W-10K±5%	3		G0773	RT13-0.167W-200±5%	1	
G0753	RT13-0.167W-100K±5%	1		G0774	RT13-0.167W-220±5%	5	
				G0717	RT13-0.167W-330±5%	3	
				G0814	RT13-0.167W-390±5%	1	
				G0776	RT13-0.167W-560±5%	2	
				G0779	RT13-0.167W-820±5%	1	
				G0719	RT13-0.167W-1K±5%	6	
				G0724	RT13-0.167W-3K±5%	2	
				G0728	RT13-0.167W-4.7K±5%	5	
				G0729	RT13-0.167W-5.1K±5%	2	
				G0735	RT13-0.167W-10K±5%	15	
				G0748	RT13-0.167W-47K±5%	3	
				G0753	RT13-0.167W-100K±5%	4	

PARTS No.	PARTS NAME	Q TY PRICE
G0723	RT13-0.167W-2.7K±5%	1
G0749	RT13-0.167W-51K±5%	2
a0519	RY15-1W-15±5%	1
CAPACITOR		
a2014	CC1-63V-51p±10%	1
a2024	CC1-63V-51p±10%	2
a2307	CC1-50V-330p±5%	3
a2028	CC1-63V-120p±10%	1
a3009	CL11-63V-3000p±10%	2
a3336	CT1-63V-0.1u+80%	3
a3509	CD110X-16V-10u±20%	8
a3512	CD110X-16V-47u±20%	2
a3513	CD110X-16V-100u+80%	10
a3514	CD110X-16V-220u+80%	2
a3561	CD110X-16V-470u+80%	6
a2308	CT1-50V-680p±5%	1
INDUCTOR		
a6552	1.8uH	2
a6452	3.3uH	5
DIODE		
a5004	IN4148	3
TRIODE、CIRCUIT		
a5104	8550D(β :200~300)	8
a5014	C8050	3
a5011	C9015C	2
P4516	74HCU04A	1
a4042	AN4558	2
a4571	CW7805	1
a4707	TOT×178A	1
OTHER		
a6774	CKX06-C JACK	1
a6762	CS-01 JACK	1
a6857	CKX03-GBR JACK	1
a6510	B-5B-PH SOCKET	1
a6613	52806-2510 SOCKET	1